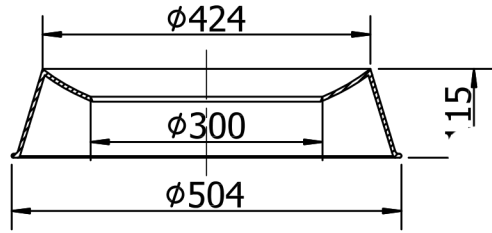
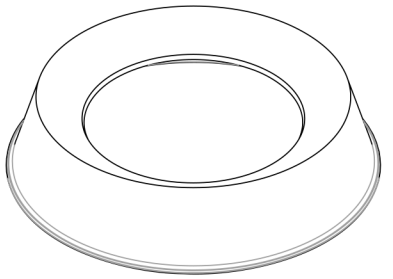
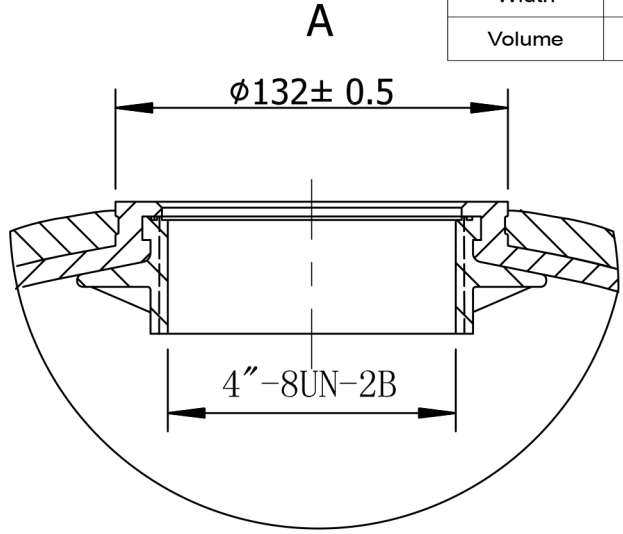
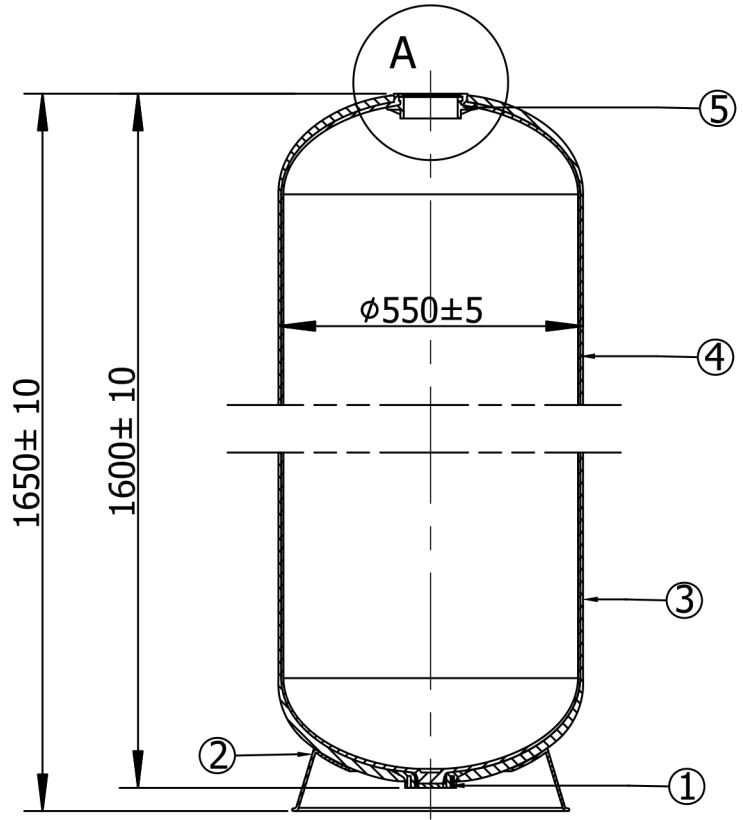


Model	2162H-4T4B
Height	1910 mm
Width	550 mm
Volume	326 Litre



NOTES:

1. Inner shell - Polyethylene (PE) seamless one-piece tank liner
2. Outer shell - Continuous strands of fiber-glass with high strength epoxy resin
3. Bottom base - FRP reinforced tripod base
4. Opening - 4 inch thread opening
5. Tanks meet all applicable specification of NSF/ANSI 044 standard
6. Operating Specifications:
 Maximum Working Pressure : 150 PSI (1.0MPa)
 Temperature :1-49 C (34-120 F)
 Maximum Vacuum:127mm Hg(5"Hg)
7. Liner inspection
 No more than 20 internal , external blemishes, burnt debris
 No internal , external blemishes, burnt debris larger than 5 *5 mm
8. Surface finish
9. Surface to be free of resin, glass,nicks,barbed filament
10. Tank to be bonded to base
11. The base to be level correction
12. Top and bottom opening to be parallel,top opening to be parallel with the base



PACIFIC WATER TECHNOLOGY